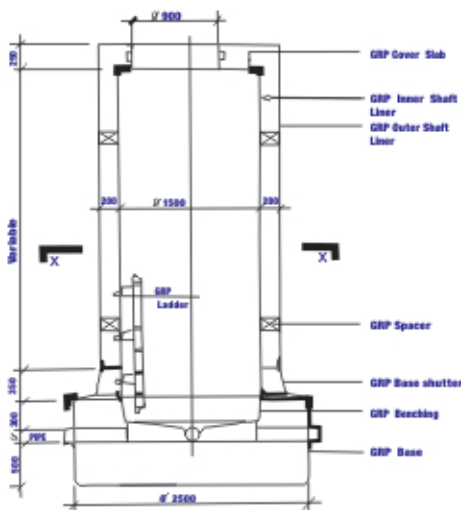




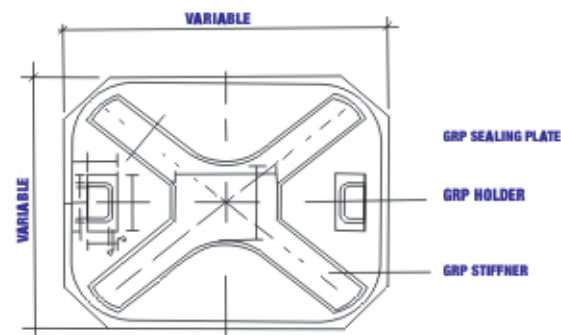
## Sewer Systems

Apart from standard products, we specialize in manufacturing of items which require thorough knowledge of G.R.P. itself and total engineering and technical capabilities. Such items include preformed components for use in sewerage and storm water disposal schemes, like Manholes, Inspection Chambers, Collection Chambers. These products are manufactured from quality raw materials and are approved by most of government departments and consultants in INDIA and abroad.

## MANHOLES



**SECTIONAL ELEVATION**



**PLAN - SEALING PLATE**

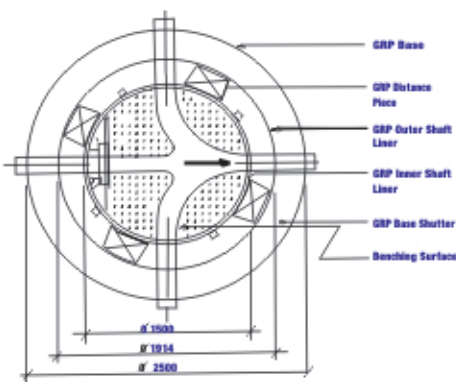
G.R.P. Sealing plates are available in different sizes and produced to meet approvals of consultants to several sewerage scheme projects.

### MH:

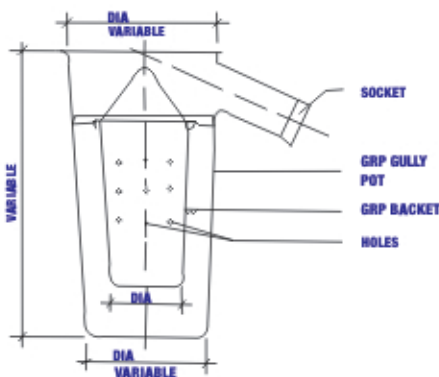
Manhole unit is produced and delivered in two components. Base unit and Shaft liner. This system enables to cast complete manhole in two pours. Where laterals or submains pipes join in a deeper sewer, a vertical drop is provided (backdrop).

Channels in MH are designed and fitted in a way to prevent splashing and / or possible deposition of solids.

Accessories such as Ladders, Handrails, safety cages are provided.



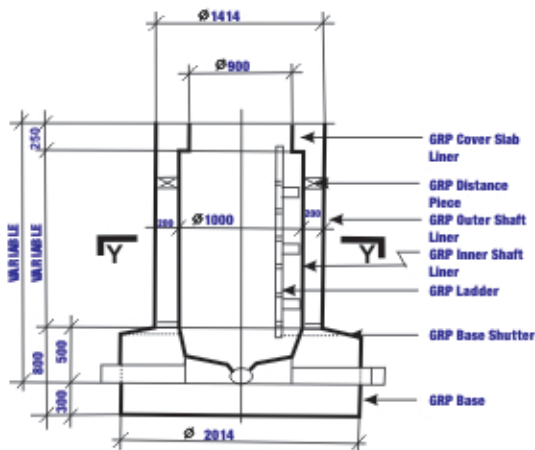
**SECTIONAL PLAN 'X-X'**



**SECTIONAL ELEVATION OF TYPICAL GRP GULLY POT**

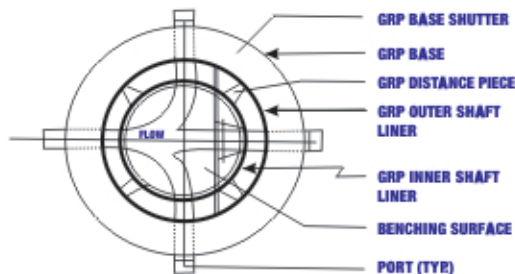
G.R.P. Gully pots are produced in several types and dimensions to suit the requirements of contractors.

## COLLECTION CHAMBERS



### CC:

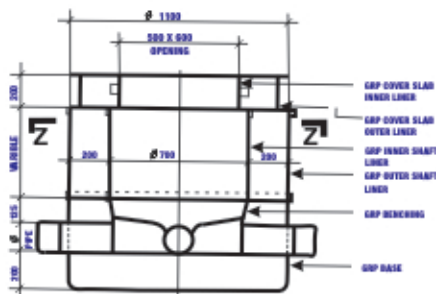
Collection chamber units are delivered as a single entity with or without external liner. The unit can be concreted in single pour.



SECTIONAL PLAN 'Y-Y'

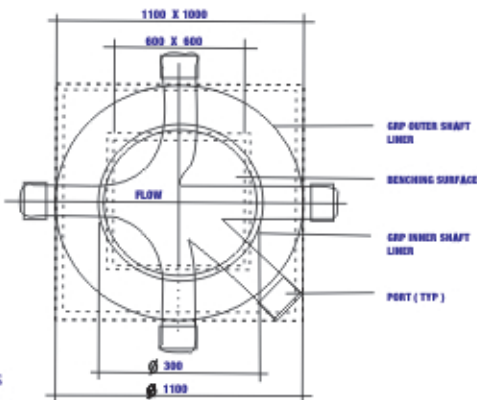
- ⊙ No maintenance is required.
- ⊙ Light weight implying easy handling and installation.
- ⊙ Excellent physical properties.
- ⊙ Inferior friction values.
- ⊙ Competitive price.

## INSPECTION CHAMBERS



### IC:

Inspection chamber unit is supplied as composite unit, complete with connecting ports. Unit can be supplied in single or double skin.



SECTIONAL PLAN 'Z-Z'

### Notes:

- ⊙ We can meet designs and related dimensions complying with various consultants specifications.
- ⊙ Raw materials used are chemical resistant.
- ⊙ Resins are vinyl ester or bisphenol; fibreglass are type E.C.R. and type E glass.
- ⊙ Products are usable in highly contaminated areas.

for Product information please contact:



Diamond Plaza, # 995-P, 12th Main Road, 2nd Avenue, Anna Nagar, Chennai 600 040, India  
Tel : 044 - 4269 3754 / 2616 2735 / 1422 Telefax : 044 - 4269 3754 Email : projects@extracocomposites.com, extraco\_india@rediffmail.com  
Website : www.extracocomposites.com

IN COLLABORATION WITH

EXTRA CO FIBRE GLASS & PREFAB HOUSES L.L.C.

P.O.Box # 6174, Shariah - UAE Tel : +971 6 543 2538 / 543 1621, Fax : +971 6 542 1381 Website : www.extraco.ae